

PlantCare guide to built-in planting



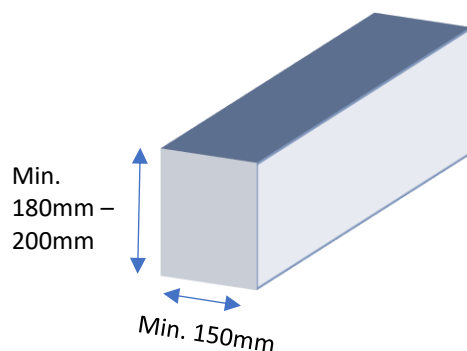
Built-in planting is streamlined and stylish, integrates the green theme into your office design and can boost the health and wellbeing of your staff.

Using custom-built planting solutions means greater flexibility for your planting which will give your office an excellent biophilic feeling. It's a great way to incorporate planting in and around seating areas, storage systems and other awkward corners and spaces.

When planning these built-in planters, it's important that the joinery is built to the right specifications to ensure that it can accommodate waterproof liners and have the required depth for the rooting of the plants. To help you build your planters to a suitable specification we have created the following simple guide:

Small Profile Planting

These are the required dimensions for the minimum joinery sizes required for the smallest height planting we offer; the plants equate roughly to a planted height of 20-30cm.



Points to note:

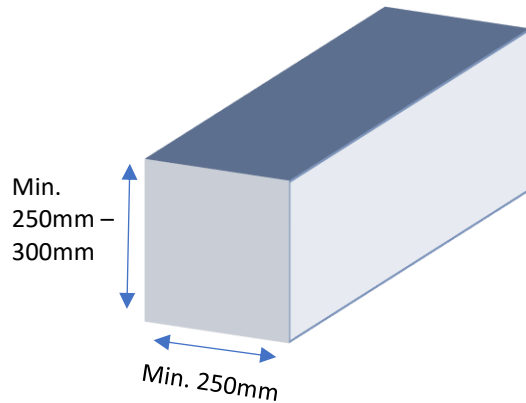
- There is no maximum length to the planter bed as we can provide multiple liners per bed, although it should be a minimum of 200mm in length.
- The liner is an unfinished GRP liner with no in-turned lip that is unseen when in situ.
- This size profile is for plants in 12cm nursery pots, achieving a planted height of roughly 20-25cm.



PlantCare guide to built-in planting

Medium Profile Planting

These are the required dimensions for the minimum joinery size required for the medium height planting we offer; the plants equate roughly to a planted height of 40-50cm.

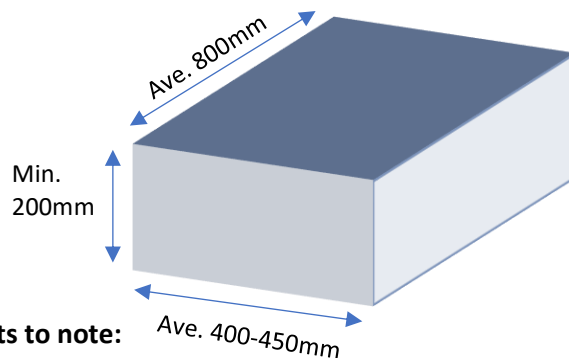


Points to note:

- There is no maximum length to the planter bed as we can provide multiple liners per bed, although it should be a minimum of 200mm in length.
- The liner is an unfinished GRP liner with no in-turned lip that is unseen when in situ.
- This size profile is for plants in 17cm, 19cm and 21cm nursery pots, achieving a planted height of roughly 40-50cm.

Complete Cabinet top Planters

This is our required specification for planted cabinet tops which have a standard length of 800mm.



Points to note:

- Depth is the most critical point – it must have enough depth for the plant's root system to hold sufficient water between maintenance visits.
- 200mm is the ideal depth
- Often these planters are just 150mm deep which then runs the risk of the plants failing and increased maintenance cost due to more frequent maintenance visits



PlantCare guide to built-in planting

General comments:

The shape and size of the planter doesn't matter, providing it **exceeds** the minimum dimensions specified above. See below an example of an empty bespoke joinery planter, before being waterproof lined.



Waterproof lining:

Before we can install the plants, we will need to measure your custom-built planter to provide you with a waterproof liner.

The above planter dimension recommendations have taken this into account so the liner will fit perfectly, regardless of planter size.